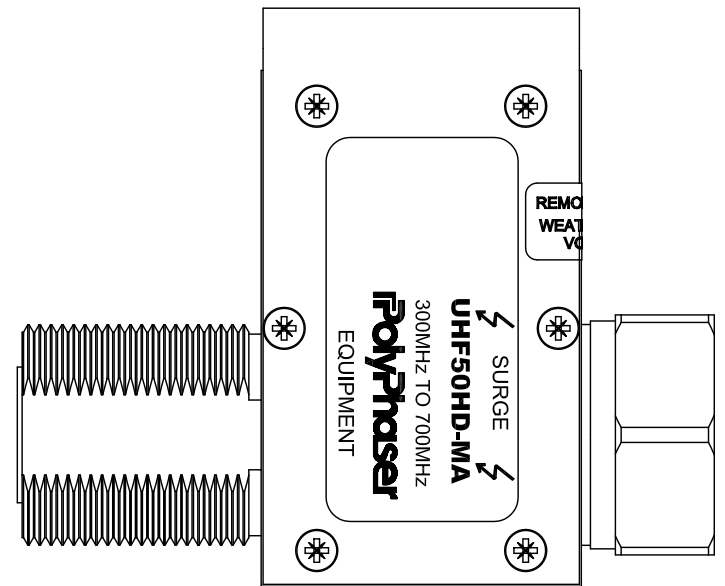
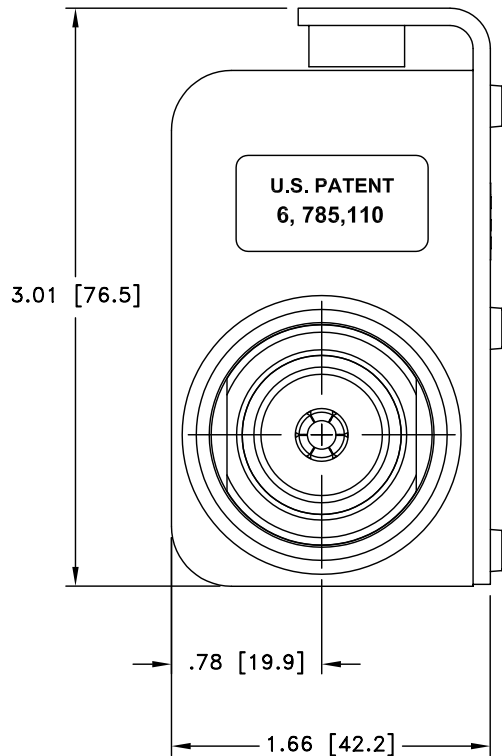
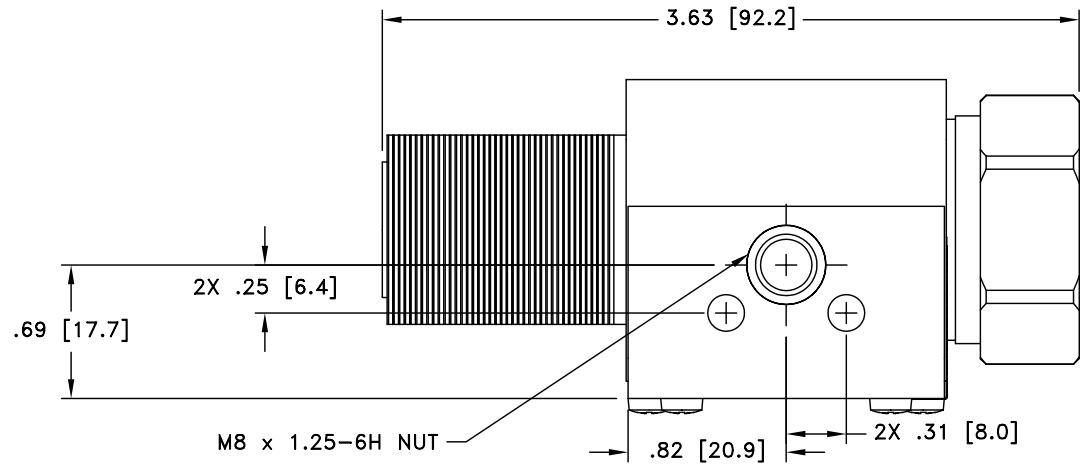


ALL DESIGN, OPERATIVE AND PROCESS DATA PERTAINING TO THE ARTICLE SHOWN ON THIS SHEET IS THE PROPERTY OF POLYPHASER CORPORATION. THE INFORMATION IS NOT TO BE COPIED, REPRODUCED, REVEALED TO OR APPROPRIATED BY OTHERS WITHOUT THE EXPRESS WRITTEN CONSENT OF POLYPHASER CORPORATION.

REVISIONS				
REV LTR	DATE	ENG	MKTG	Q.A.
C	12/07/04 SH	KCB	SD	LJ



MAXIMUM CHARACTERISTICS

APPLICATION:
 WEATHERIZED, FLANGE OR BULKHEAD MOUNT
 FREQUENCY RANGE:
 300MHz TO 700MHz
 VSWR:
 ≤1.1:1 OVER FREQUENCY RANGE
 INSERTION LOSS:
 ≤0.1dB OVER FREQUENCY RANGE
 POWER:
 750W RMS AVERAGE
 MAX. SURGE:
 20kA IEC 61000-4-5 8/20μs WAVEFORM
 THROUGHPUT ENERGY:
 ≤500nJ FOR 3kA, 8/20μs WAVEFORM
 RELATIVE HUMIDITY:
 TO 95%
 ENVIRONMENTAL:
 MEETS IEC 60529 IP67
 MEETS BELLCORE #TA-NWT-000487
 PROCEDURE 4.11, WIND DRIVEN (120MPH)
 RAIN INTRUSION TEST.
 TEMPERATURE:
 -50°C TO +85°C STORAGE/OPERATING

CUSTOMER APPROVAL: _____ DATE: _____

ALL DIMENSIONS SHOWN ABOVE ARE FOR REFERENCE ONLY.

DRAFTER	DATE
S. HALL	06/25/03
MECH ENGINEER	DATE
R. DUNNING	06/27/03
ELEC ENGINEER	DATE
N. TOPCU	06/26/03
MARKETING	DATE
S. DOTTER	06/27/03
QUALITY DEPT	DATE
L. JACQUES	06/27/03

PolyPhaser

P.O. BOX 9000 MINDEN, NV 89423 TEL: 775-782-2511 FAX: 775-782-4476

DWG NO/PART NO/DESCRIPTION

UHF50HD-MA
CUSTOMER PRINT

CAGE CODE	FILE NAME	SCALE	SHEET
61114	-C1	1/1	1 OF 1