

MAXIMUM CHARACTERISTICS

PAIRS PROTECTED:

1/2, 4/5, 3/6, 7/8

PINS PROTECTED:

ALL 8, L-L & L-G

TURN ON (@10mA):

±70Vdc TYPICAL,
L-L & L-G (CONNECTOR SHIELD)

TURN ON (@10mA):

±170Vdc TYPICAL, L-G (STANDOFF)

SERIES RESISTANCE:

1Ω ± 20%

TYPICAL CAPACITANCE:

60pF, L-L & L-G (CONNECTOR SHIELD)

MAX SURGE:

300A; 10/1000 USEC (BELLCORE 1089),

L-G (CONNECTOR SHIELD)

3kA; 8/20 USEC (IEC 61000-4-5),

L-G (CONNECTOR SHIELD)

100A; 10/1000 USEC (BELLCORE 1089), L-L

HUMIDITY:

0 TO 100% CONDENSING

TEMPERATURE:

-40°C TO +65°C, STORAGE/OPERATING +50°C

MAX HOLDING CURRENT:

400mA @ +20°C

620mA @ -40°C

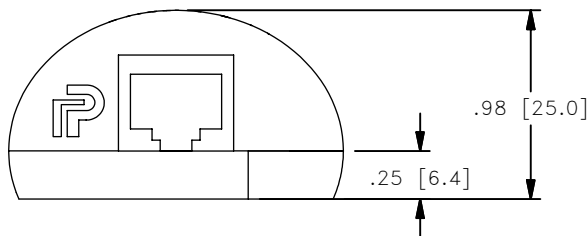
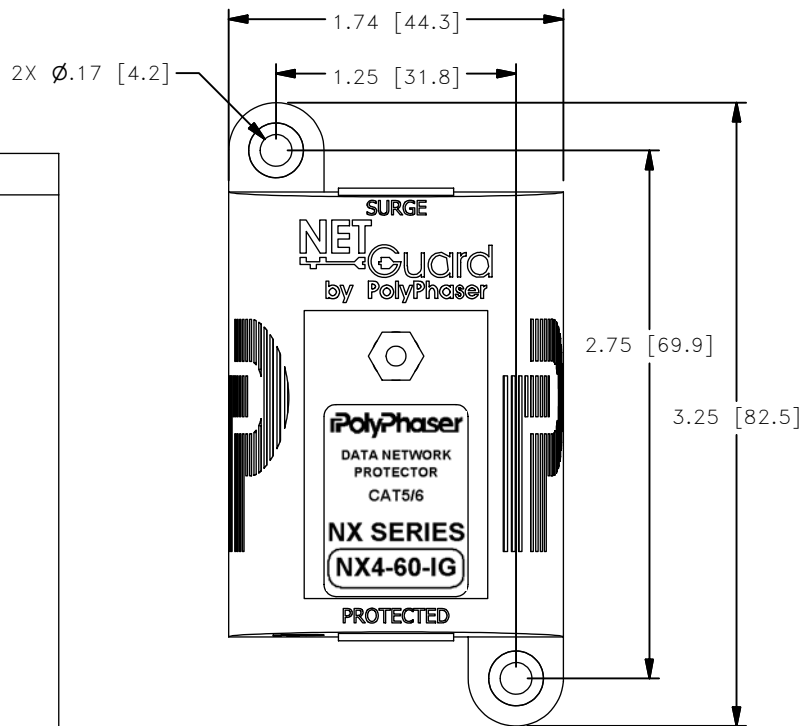
290mA @ +50°C

APPLICATION:

INDOOR, RJ45, STP


TYPICAL WEIGHT:

0.2 lb.



NOTES:

- GROUND UNIT USING ATTACHED RING TERMINAL TO NEAREST POINT.

DRAWN BY R. SWART		DATE 04/29/05	 P.O. BOX 9000 MINDEN, NV 89423 TEL: 775.782.2511 FAX: 775.782.4476				UNLESS OTHERWISE STATED DIMENSIONS ARE IN INCHES TOLERANCES SURFACE FINISH = 63µin ANGLES = ±.5° .X = ±.05 .XX = ±.03 .XXX = ±.01 .XXXX = ±.005 DO NOT SCALE DRAWING		
MECH ENG R. DUNNING		DATE 05/16/05							
ELEC ENG L. CHANG		DATE 05/11/05	PART NO / TITLE / DESCRIPTION NX4-60-IG CUSTOMER PRINT				SCALE 1/1		
Q.A. DEPT L. JACQUES		DATE 05/11/05							
MKT DEPT S. DOTTER		DATE 05/13/05	ALL DESIGN, OPERATIVE AND PROCESS DATA PERTAINING TO THE ARTICLE SHOWN ON THIS SHEET IS THE PROPERTY OF POLYPHASER. THE INFORMATION IS NOT TO BE COPIED, REPRODUCED, REVEALED TO OR APPROPRIATED BY OTHERS WITHOUT THE WRITTEN CONSENT OF POLYPHASER CORPORATION.				PAGE 1 OF 1	FILE TAG -C1	CAGE CODE 61114
REV	DESCRIPTION	DATE	ME	EE	MKT	QA			