

# MAXIMUM CHARACTERISTICS

## APPLICATION:

BIAS-T WITH AISG INTERFACE

## DC VOLTAGE:

FEEDER IN: +10 TO 30Vdc

AISG CONN PIN 6 OUT:+10 TO 30Vdc

## RF FREQUENCY RANGE:

800MHz TO 2.5GHz, 50Ω

## VSWR:

≤1.1:1

## INSERTION LOSS:

≤0.1dB

## POWER:

750 Wrms

## MODEM:

DC/DATA TO RF ISOLATION >70dB

## INPUT/OUTPUT:

RS485 FORMAT; 9.6kb/s, 38.4kb/s, 115.2kb/s

## MAX VOLTAGE:

+30Vdc

## CURRENT:

≤4.0A CONTINUOUS

## DIODE TURN ON TIME:

4ns FOR 2kV/ns

## MAX SURGE:

40kA IEC 61000-4-5 8/20μs WAVEFORM

MIN: FIVE 10kA STRIKES.

## RF THRUPUT:

≤25μJ FOR 3kA, 8/20μs WAVEFORM

## RELATIVE HUMIDITY:

TO 95%

## TEMPERATURE:

-45°C TO +85°C STORAGE/OPERATING

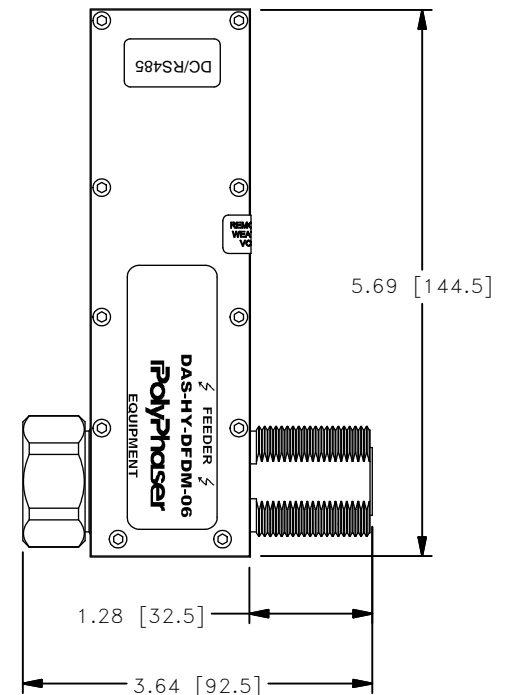
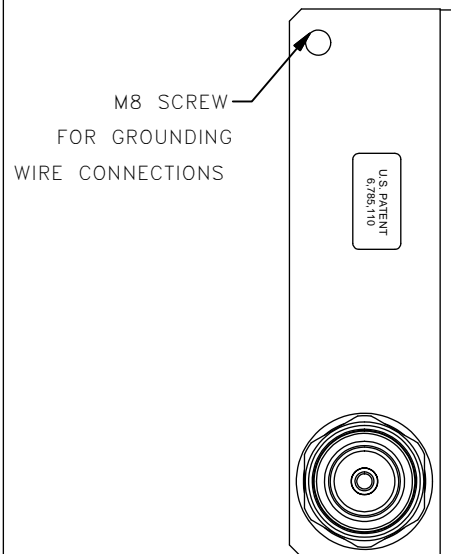
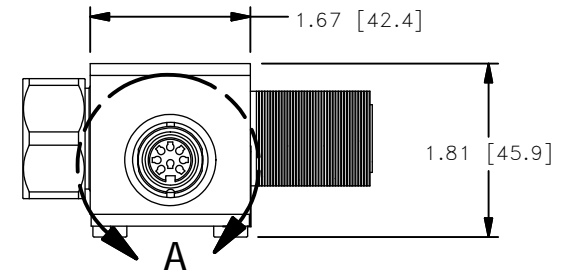
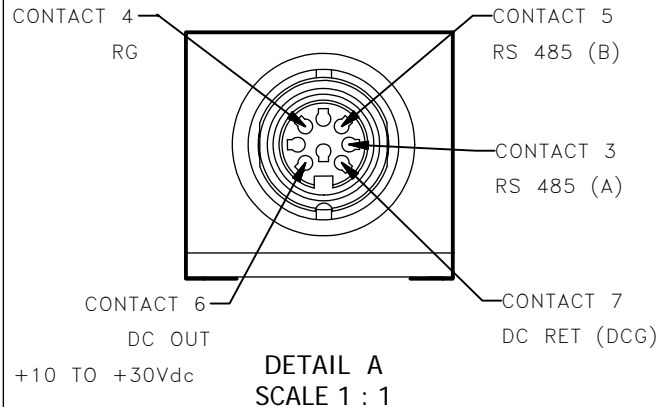
## ENVIRONMENTAL:

WEATHERIZED, FLANGE OR BULKHEAD MOUNT

MEETS IEC 60529 IP67

MEETS BELLCORE #TA-NWT-000487 PROCEDURE 4.11

WIND DRIVEN (120 MPH) RAIN INTRUSION TEST.



*These commodities or technology are exported from the U.S. in accordance with the Export Administration Regulations. Diversion contrary to U.S. law prohibited.*

DRAWN BY S. HALL	DATE 08/04/05	 P.O. BOX 9000 MINDEN, NV 89423 TEL: 775.782.2511 FAX: 775.782.4476 PART NO / TITLE / DESCRIPTION <b>DAS-HY-DFDM-06</b> CUSTOMER PRINT	UNLESS OTHERWISE STATED DIMENSIONS ARE IN INCHES <b>TOLERANCES</b> SURFACE FINISH = 63μin ANGLES = ±.5° .X = ±.05 .XX = ±.03 .XXX = ±.01 .XXXX = ±.005 DO NOT SCALE DRAWING			
MECH ENG R. SWART	DATE 09/09/05					
ELEC ENG K. BARTEL	DATE 09/07/05					
G.A. DEPT R. MATHEUS	DATE 09/09/05					
MKT DEPT H. HOFF	DATE 09/08/05	ALL DESIGN, OPERATIVE AND PROCESS DATA PERTAINING TO THE ARTICLE SHOWN ON THIS SHEET IS THE PROPERTY OF POLYPHASER. THE INFORMATION IS NOT TO BE COPIED, REPRODUCED, REVEALED TO OR APPROPRIATED BY OTHERS WITHOUT THE WRITTEN CONSENT OF POLYPHASER CORPORATION.	SCALE 1/2	PAGE 1 OF 1	FILE TAG -C1	CAGE CODE 61114