

MAXIMUM CHARACTERISTICS

APPLICATION:

BIAS-T WITH AISG INTERFACE
22mA dc EQUIPMENT LOAD (560Ω)

DC VOLTAGE:

FEEDER: +10 TO 30Vdc
AISG CONN PIN 6 IN:+10 TO 30Vdc
AISG CONN PIN 1 IN:+10 TO 15Vdc

RF FREQUENCY RANGE:

800MHz TO 2.7GHz,

VSWR:

≤1.1:1

INSERTION LOSS:

≤0.1dB

RF POWER:

750 Wrms

MODEM:

DC/DATA TO RF ISOLATION >70dB

INPUT/OUTPUT:

RS485 FORMAT; 9.6kb/s,38.4kb/s, 115.2kb/s

MAX VOLTAGE:

+30Vdc

CURRENT:

≤4.0A CONTINUOUS

DIODE TURN ON TIME:

4ns FOR 2kV/ns

MAX SURGE:

40kA IEC 61000-4-5 8/20ms WAVEFORM
MIN: FIVE 10kA STRIKES

RF THRUPUT:

≤25mJ FOR 3kA, 8/20ms WAVEFORM

RELATIVE HUMIDITY:

TO 95%

TEMPERATURE:

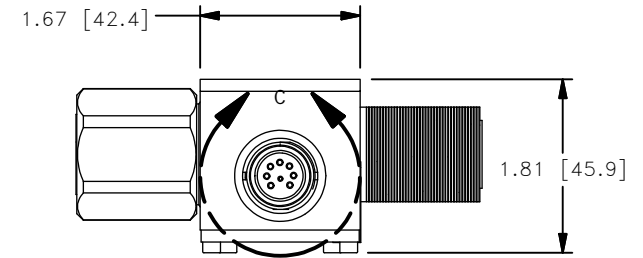
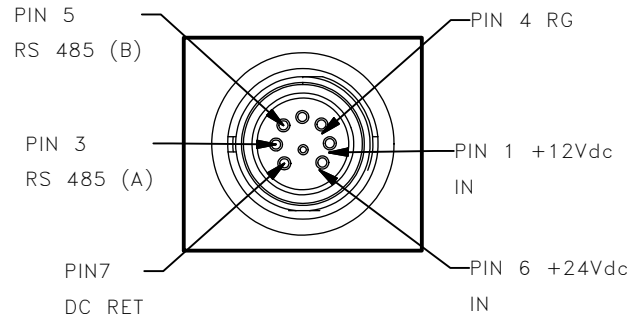
-45°C TO +85°C STORAGE/OPERATING

ENVIRONMENTAL:

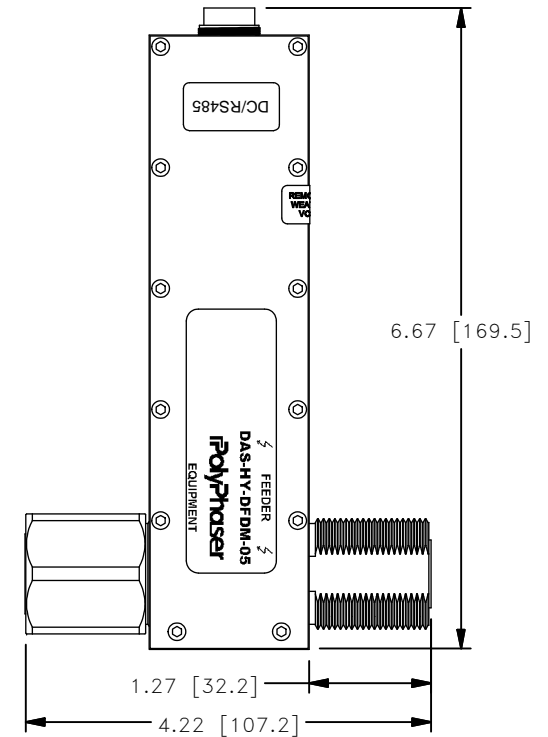
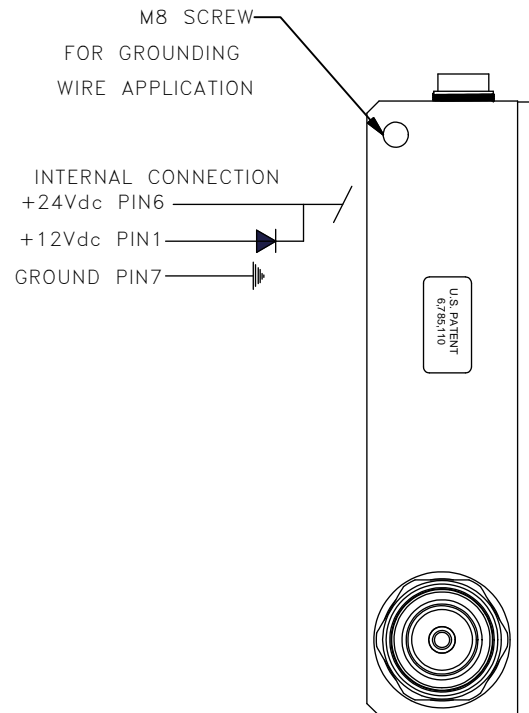
WEATHERIZED, FLANGE OR BULKHEAD MOUNT
MEETS IEC 60529 IP67
MEETS BELLCORE #TA-NWT-000487 PROCEDURE 4.11
WIND DRIVEN (120 MPH) RAIN INTRUSION TEST.

These commodities or technology are exported from the U.S. in accordance with the Export Administration Regulations. Diversion contrary to U.S. law prohibited.

REV	DESCRIPTION	DATE	ENG	EE	MKT	QA
E	INC ECN 2621	02/09/07	RS	KCB	CP	LJ



DETAIL C
SCALE 1 : 1



DRAWN BY	S. HALL	DATE	10/10/05
MECH ENG	R. SWART	DATE	01/04/06
ELEC ENG	K. BARTEL	DATE	01/04/06
Q.A. DEPT	L. JACQUES	DATE	01/04/06
MKT DEPT	S. DOTTER	DATE	01/04/06

PolyPhaser

P.O. BOX 9000 MINDEN, NV 89423 TEL: 775.782.2511 FAX: 775.782.4476

PART NO / TITLE / DESCRIPTION

DAS-HY-DFDM-05
CUSTOMER PRINT

UNLESS OTHERWISE STATED DIMENSIONS ARE IN INCHES			
TOLERANCES			
SURFACE FINISH = 63µin			
ANGLES = ±.5°			
.X = ±.05			
.XX = ±.03			
.XXX = ±.01			
.XXXX = ±.005			
DO NOT SCALE DRAWING			
SCALE	PAGE	FILE TAG	CAGE CODE
1/2	1 OF 1	-C1	61114

ALL DESIGN, OPERATIVE AND PROCESS DATA PERTAINING TO THE ARTICLE SHOWN ON THIS SHEET IS THE PROPERTY OF POLYPHASER. THE INFORMATION IS NOT TO BE COPIED, REPRODUCED, REVEALED TO OR APPROPRIATED BY OTHERS WITHOUT THE WRITTEN CONSENT OF POLYPHASER CORPORATION.